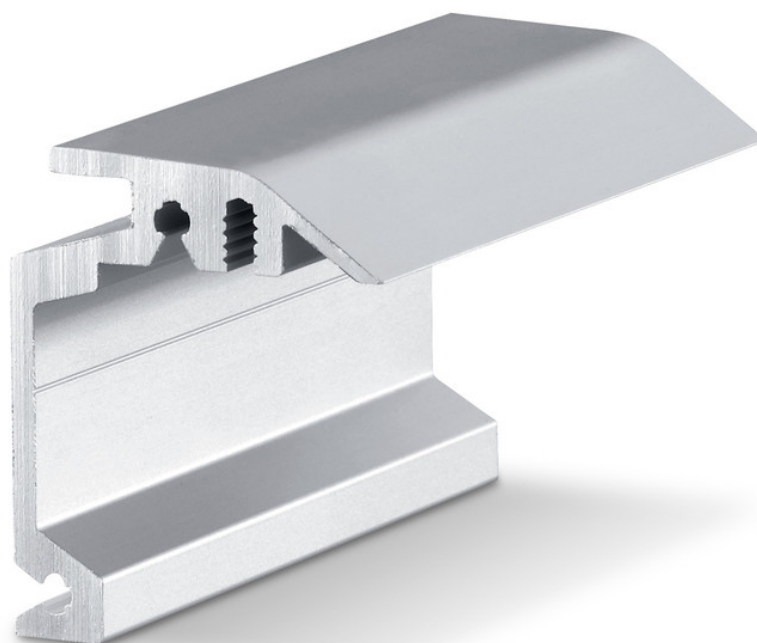


# Product data sheet

# Wall bracket

# concealed Perlan



Wall bracket for concealed wall installation of tracks

#### AREAS OF APPLICATION

- For wall installation
- For timber leaves with 37 mm thickness
- For concealed installation
- For full-glass doors

# Wall bracket concealed Perlan



## PRODUCT FEATURES

→ Wall bracket for concealed installation of tracks on the wall and leaf thicknesses up to 37 mm

## TECHNICAL DATA

Productname	Wall bracket concealed Perlan
Colour	EV1

## VARIANTS / ORDER INFO

Designation	Description	Ident-No.	Colour
Wall bracket concealed Perlan	for use up with to 37 mm leaf thickness	130463	Stainless steel optic
Wall bracket concealed Perlan	for use up with to 37 mm leaf thickness	130415	EV1
Wall bracket concealed Perlan	for use up with to 37 mm leaf thickness	130417	EV1
Wall bracket concealed Perlan	for use up with to 37 mm leaf thickness	130418	EV1
Wall bracket concealed Perlan	for use up with to 37 mm leaf thickness	130419	EV1
Wall bracket concealed Perlan	for use up with to 37 mm leaf thickness	130465	Stainless steel optic
Wall bracket concealed Perlan	for use up with to 37 mm leaf thickness	130466	Stainless steel optic
Wall bracket concealed Perlan	for use up with to 37 mm leaf thickness	130464	Stainless steel optic
Wall bracket concealed Perlan	for use up with to 37 mm leaf thickness	130414	EV1