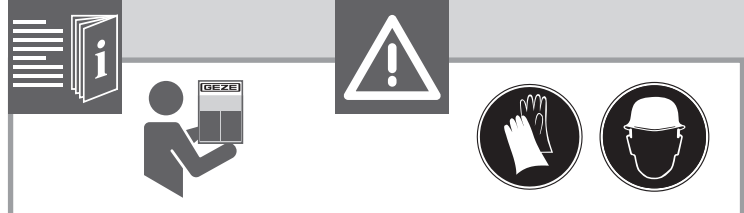


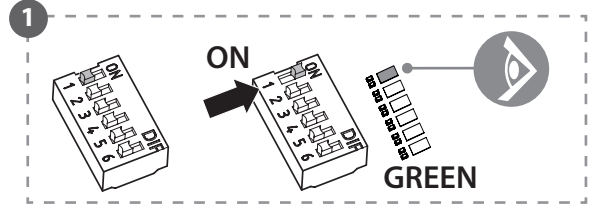
GC 171
Quick Guide



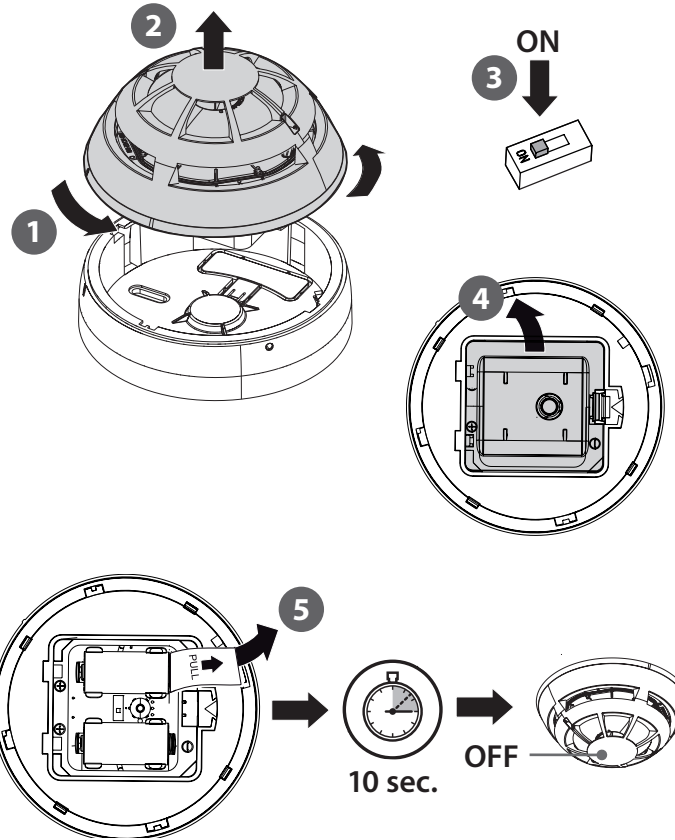
182944-01



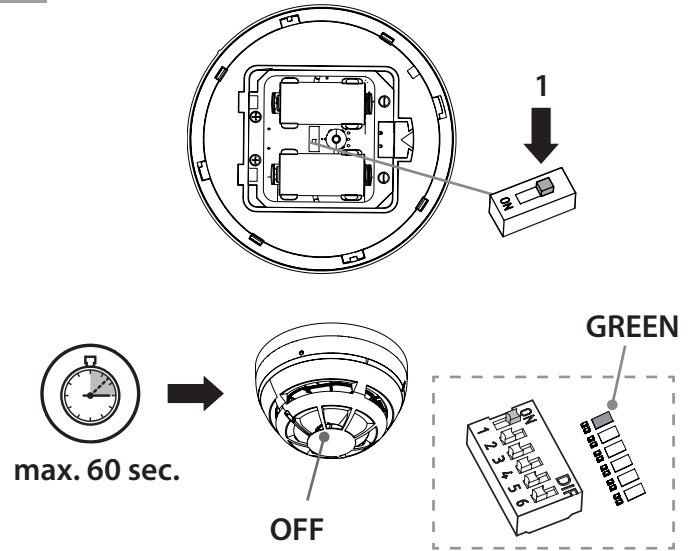
2a



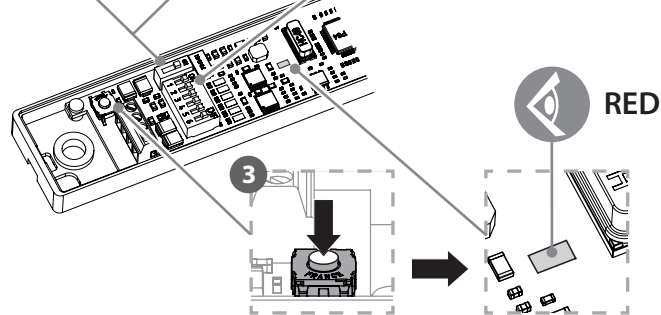
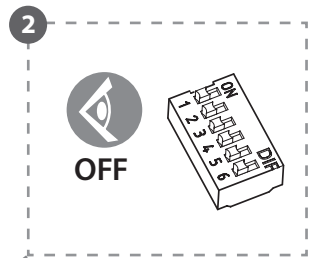
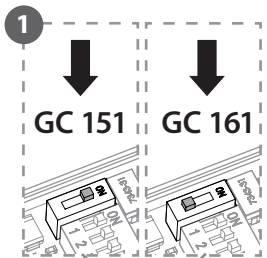
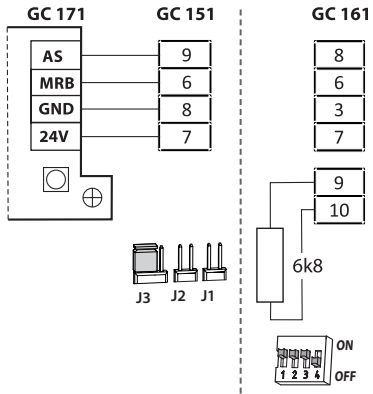
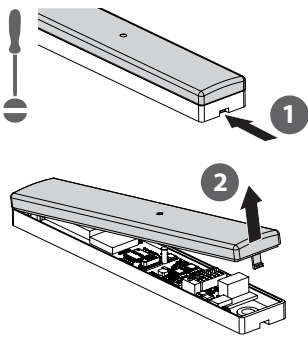
2b



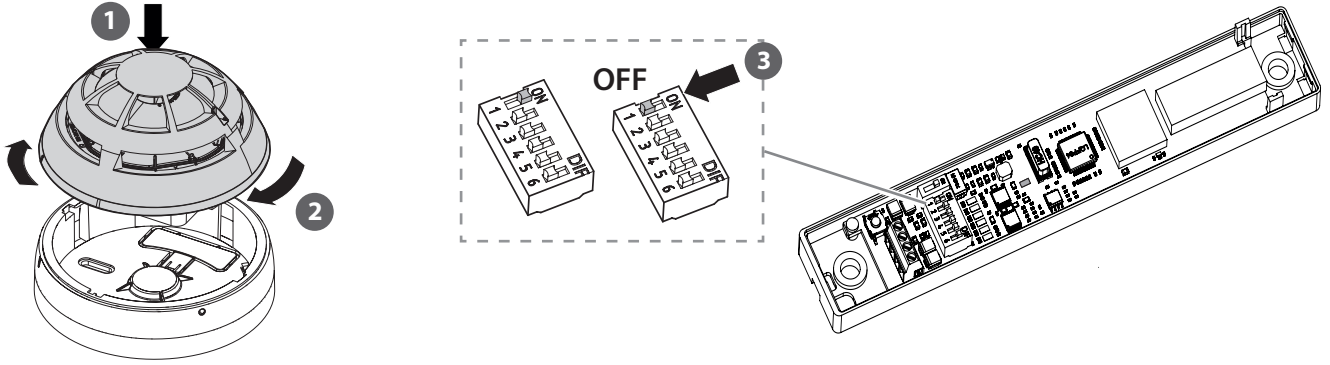
2c



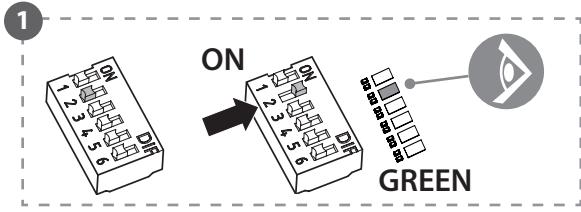
1



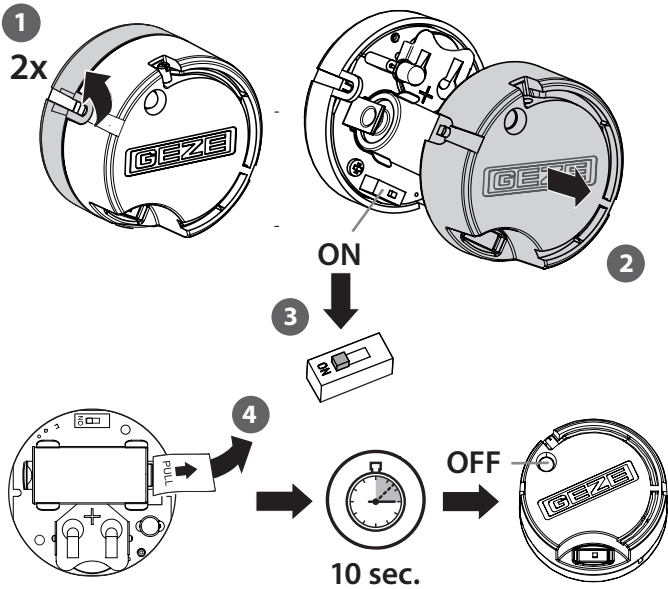
2d



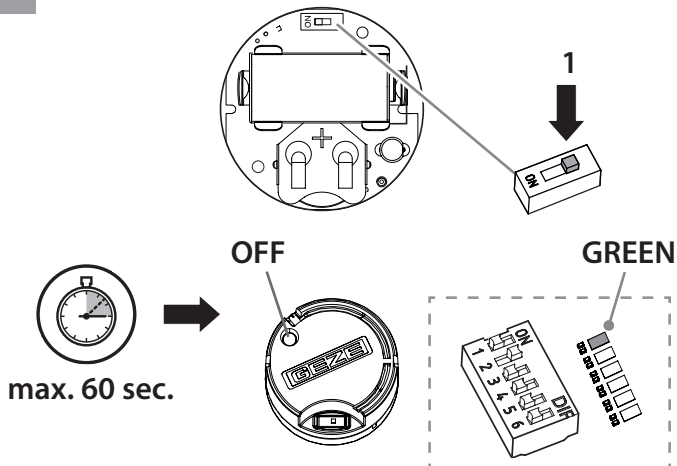
3a



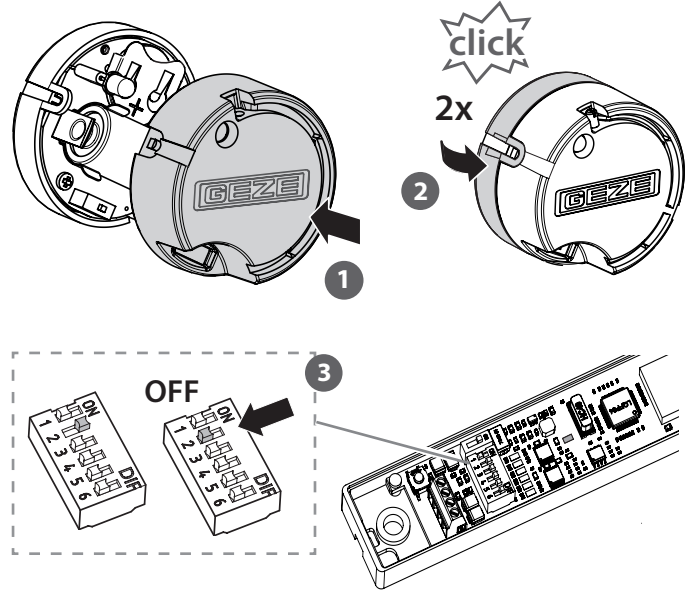
3b



3c



3d



4

