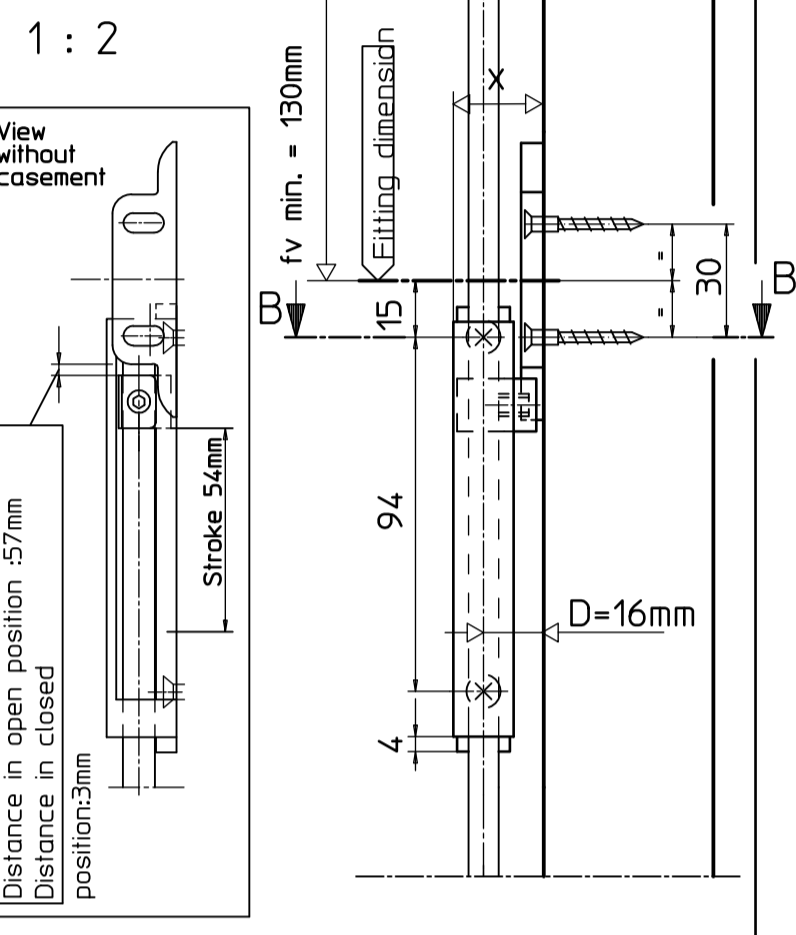
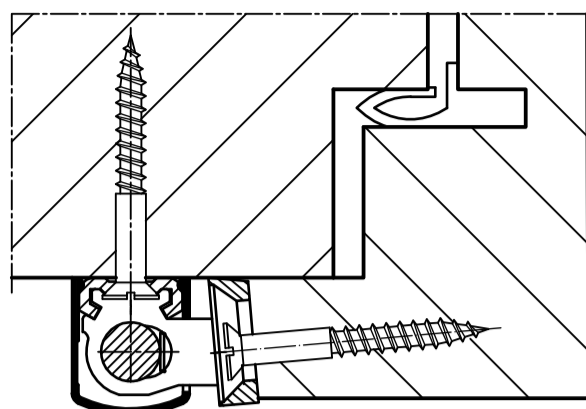


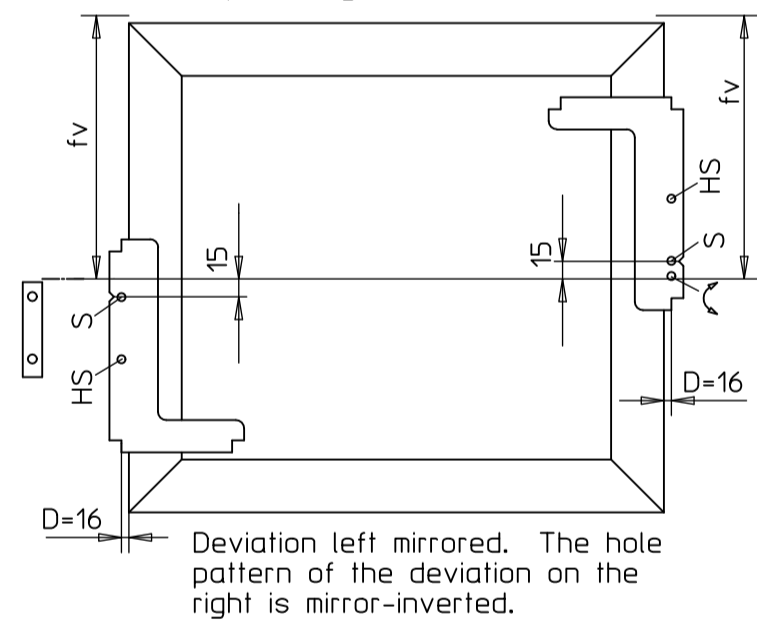
### Additional locking OL 90 N for overlap 14-25mm

B - B  
1 : 1

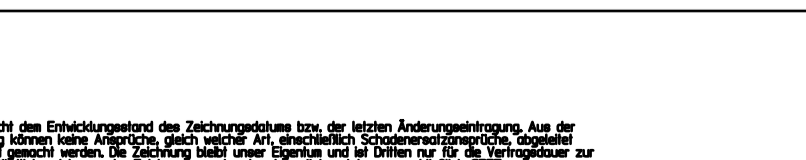
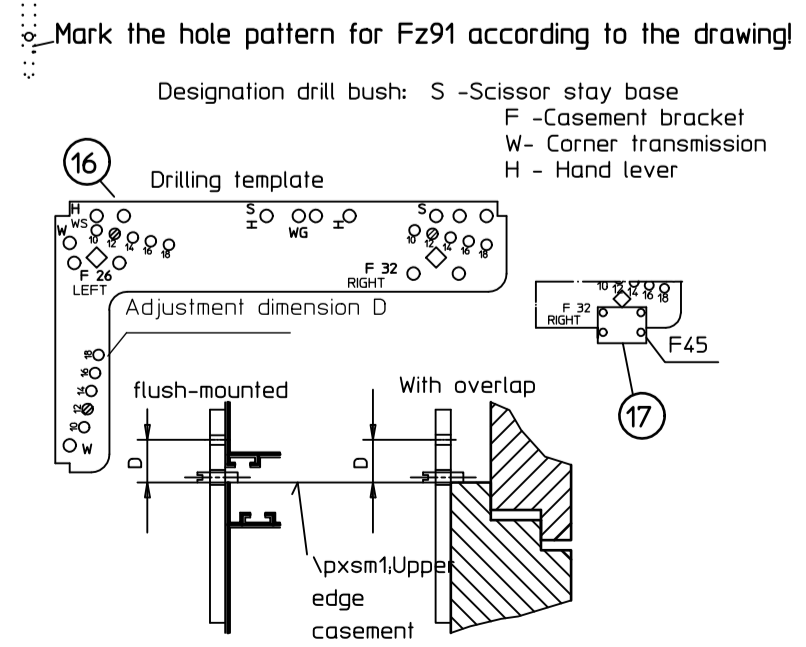
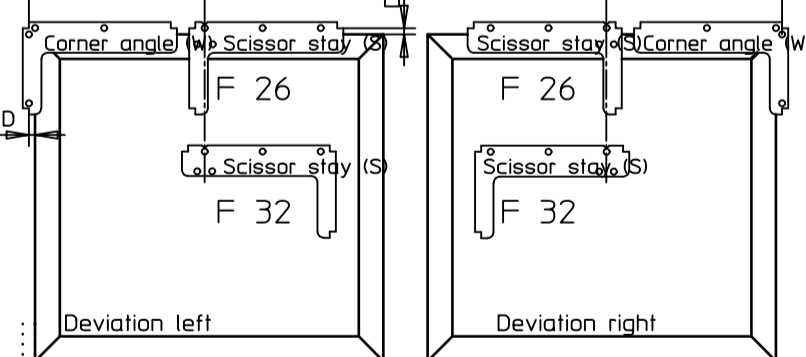


### Drilling template OL90N/OL95 Application for additional locking overlap 14-25mm

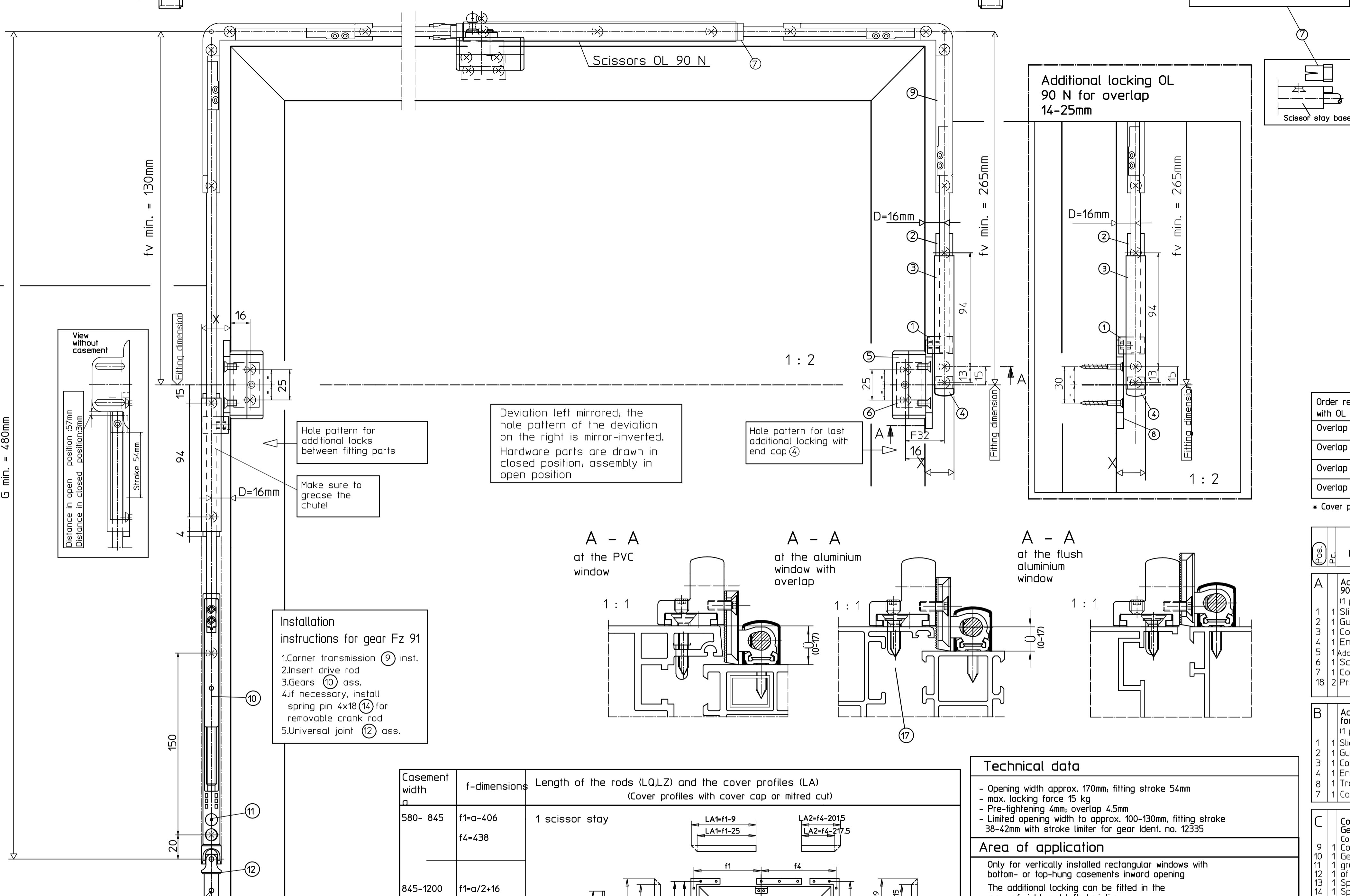
End stop with drilling template OL 90  
1. Drill hole pattern for transome part  
2. Shift drilling template 15mm from fv  
3. Drill hole pattern guide (HS.S)



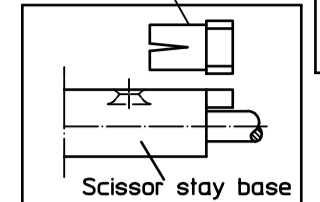
### Drilling template for OL 90N/OL 95



### Additional locking OL 90 N for overlap 0 - 17mm



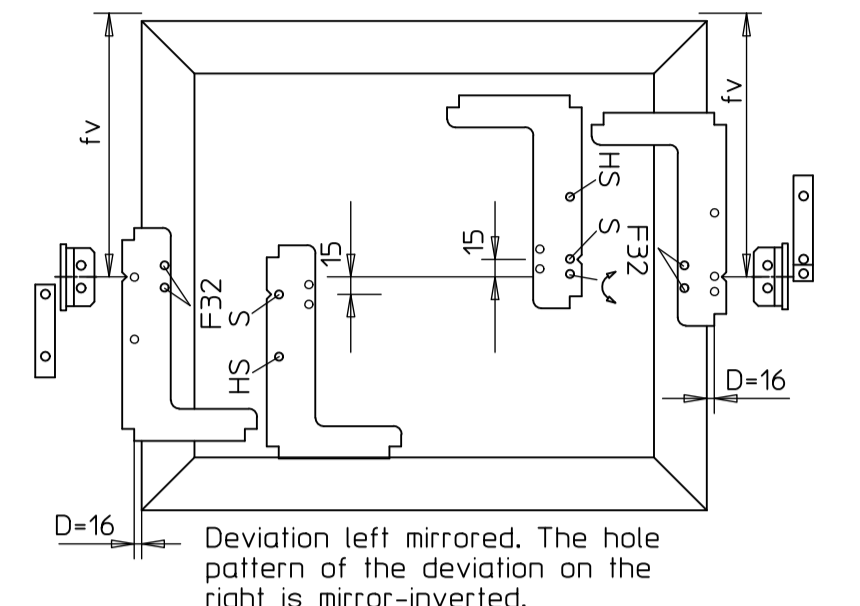
Connection (for cover profile)



Further installation drawings for GEZE OL 90 N:  
OL 90 N additional locking 40444-EP-005  
OL 90 N with gearbox Fz 91 or Fz 92 for pitched windows 40444-EP-007  
OL 90 N with gear Fz 91 or Fz 90 L/R 40444-EP-008  
OL 90 N crank rod and accessories for gear Fz 90, Fz 91, Fz 92 40444-EP-011

### Drilling template OL90N/OL95 Application for additional locking overlap 0-17mm

End stop with drilling template OL 90 N  
1. Hole pattern for additional bracket (F32)  
2. Shift drilling template 15mm  
3. Drill hole pattern guide (HS.S)



Deviation left mirrored, the hole pattern of the deviation on the right is mirror-inverted. Hardware parts are drawn in closed position, assembly in open position

Hole pattern for last additional locking with end cap 4

Hole pattern for additional locks between fitting parts

Make sure to grease the chutlet

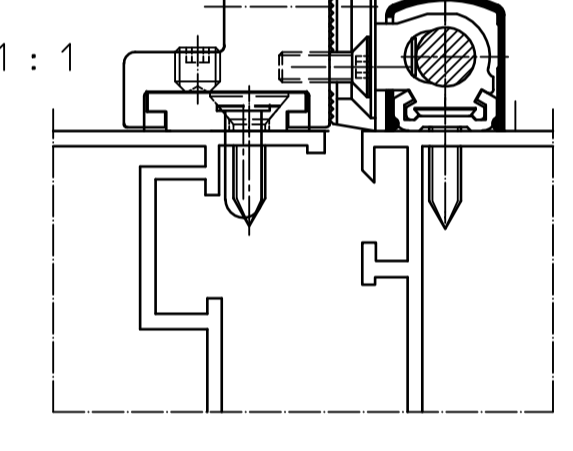
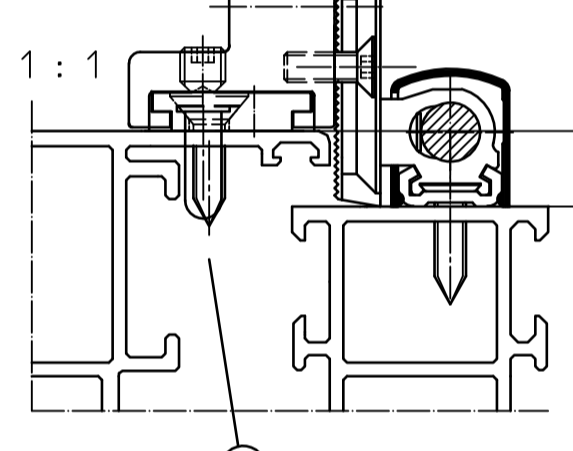
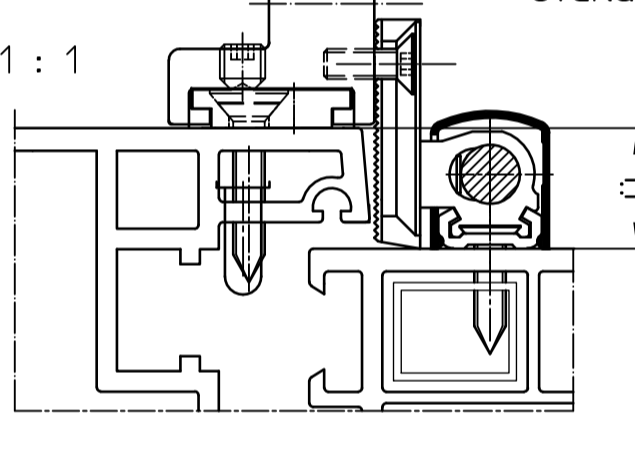
#### Installation instructions for gear Fz 91

1. Corner transmission 9 inst.  
2. Insert drive rod  
3. Gears 10 ass.  
4. If necessary, install spring pin 4x18 12 for removable crank rod  
5. Universal joint 12 ass.

A - A at the PVC window

A - A at the aluminium window with overlap

A - A at the flush aluminium window



#### Mounting elements

Window type	Fixing screws	Drill φ
Wood	Countersunk wood screws 4x35 DIN 97 o.DIN 7997	2.5mm
Aluminium	Countersunk self-tapping screws 4.2xL DIN7972 o.DIN7982 Screw must go through min.1.8mm profile wall	3.5mm
Plastic	Countersunk self-tapping screws 4.2xL DIN7972 or DIN7982 Screw must go through min.2 profile walls	3.5mm

Fixing screws are not included in the delivery.

#### Important information:

- Installation drawing, installation instructions, maintenance and operating instructions must be observed.
- The specified area of application must be observed.
- The prescribed fitting dimensions must be observed.
- The prescribed mounting elements must be used.
- In order to avoid injuries protective caps are to be screwed onto projecting threads of the fastening screws.
- Fittings are drawn in the closed position. However, mounting is carried out in the open position.
- All fixing screws must be tightened in the open position with an Allen key SW3 with 5Nm.
- After assembly and before commissioning, the function of tightening all fixing screws must be checked, and all fixing screws must be tightened again.
- The joints and sliding points must be greased with an acid-free grease in accordance with DIN 51825
- The free accessibility of the fitting parts for greasing and maintenance must be ensured in accordance with DIN 18357.
- If rods and cover profiles from other manufacturers are used, GEZE assumes no warranty and no liability for the resulting damage and consequential damage.
- From a free rod length of 600mm, rod guides must be used.
- The use of a suitable safety catch is prescribed for bottom-hung windows (see GEZE gripping and cleaning scissor stay).

Casement width a	f-dimensions	Length of the rods (L.O.L.Z) and the cover profiles (LA) (Cover profiles with cover cap or milled cut)
580- 845	f1=a-406 f4=438	1 scissor stay 
845-1200	f1=a/2+16 f4=f1	2 scissor stays 
1000-1270	f1=a-810 f2=410 f4=438	2 scissor stays 
1270-2400	f1=a/3+16 f2=a/3 f4=a/3+16 (from a=1400 also 3 scissor stays possible)	3 scissor stays 
1400-1700	f1=a-1226 f2=410 f3=f2 f4=438	3 scissor stays 
1700-3000	f1=a/4+16 f2=a/4 f3=f2 f4=f1	4 scissor stays 

#### Technical data

- Opening width approx. 170mm, fitting stroke 54mm  
- max. locking force 15 kg  
- Pre-lightening 4mm, overlap 4.5mm  
- Limited opening width to approx. 100-130mm, fitting stroke 38-42mm with stroke limiter for gear Ident. no. 12335

#### Area of application

Only for vertically installed rectangular windows with bottom- or top-hung casements inward opening  
The additional locking can be fitted in the case of right and left deviation.

a = Casement width min. 580mm (only for rectangular windows)  
b = Casement height from 480mm

Total casement weight max. 80kg max. panel weight:

Permissible casement weights dependent on total casement width and i dimension

i = distance of the casement centre of gravity to the hinge pivot point = 10 to 60mm  
U = Overlap height 0-25mm  
D = Outer edge of casement to centre of link arm (see table) X = Side clearance (see table) Y = Upper clearance (see table)

Casement height b	D-dimension side	Side clearance X
from 480mm	10 to 18mm	D + 9mm

Deviation	D-dimension side	Side clearance X
Gear Fz91 with fixed crank rod	16mm	25mm
detachable crank rod	16mm	30mm

if the permissible casement width is not overlapped, up to 3 scissor stays may be mounted

Order requirements for rectangular windows with OL 90 N, Fz 91 and additional locks

Overlap	(al. window)	A	B	C	D	E	F+F1
Overlap 0-17mm	(al. window)	2X		X	X	X	
Overlap 0-17mm	(wood and plastic)	2X		X	X		X
Overlap 14-25mm	(al. window)		2X	X	X	X	
Overlap 14-25mm	(wood and plastic)		2X	X	X		X

\* Cover profile and rod must be ordered separately

Ident. no.	Name	Ident. no. for version:					P.C.
		EV1	white RAL9006	dark bronze	black	RAL black	
A	Additional locking device OL 90 for overlap N 0-17 mm (1 piece) Content:	30519	30523	30520	30522	30522	5
1	Sliding part						
2	Guide						
3	Cover for locking mechanism						
4	End cap						
5	Additional bracket for transome part						
6	Screw plate						
7	Connection						
8	Protective cap						
B	Additional locking OL 90 N for overlap 14-25mm (1 piece) Content:	30524	30528	30525	30527	30527	5
1	Sliding part						
2	Guide						
3	Cover for locking mechanism						
4	End cap						
5	Transome part						
6	Connection						
C	Corner transmission with Gear Fz 91 content:	30817	30817	30818	30818	30817 or 30818	6
9	Corner transmission	galvanised	galvanised	black	black		
10	Gear						
11	grub screw M4x10.8						
12	universal joint						
13	Spring pin 4x16 for fixed crank rod						
14	Spring pin 4x20 for removable crank rod						
15	Cover cap						
D	Corner transmission for rectangular windows			70546			4
E	Scissors OL 90 N	30373	30377	30374	74509	30376	6
F	Scissor stay OL 90 N without casement bracket	71203	71207	71204	99477	71206	4
F1	Casement bracket for wooden windows with Euro-groove	30886	30890	30887	99475	30889	2
<b>Rods and cover profiles</b>							
Cover profile L=2m		30401	30405	30402	74537	30404	
Cover profile L=3m	*	30396	30400	30397	74539	30399	
Cover profile L=6m		27558	27561	27559	74540		
Rod ø8 galvanised L=2m					16555		
Rod ø8 galvanised L=3m					16591		
Rod ø8 galvanised L=6m					16592		
<b>Accessories</b>							
Drilling template OL 90N/OL 95		54799	yellow				
Additional drilling template OL 90 N for wooden windows F=45					28141		
Rod coupling OL 90					43546		
Rod guide					10878		1 each
Stroke limiting device for gear					12335		

\* Cover profile mitre cut on both sides