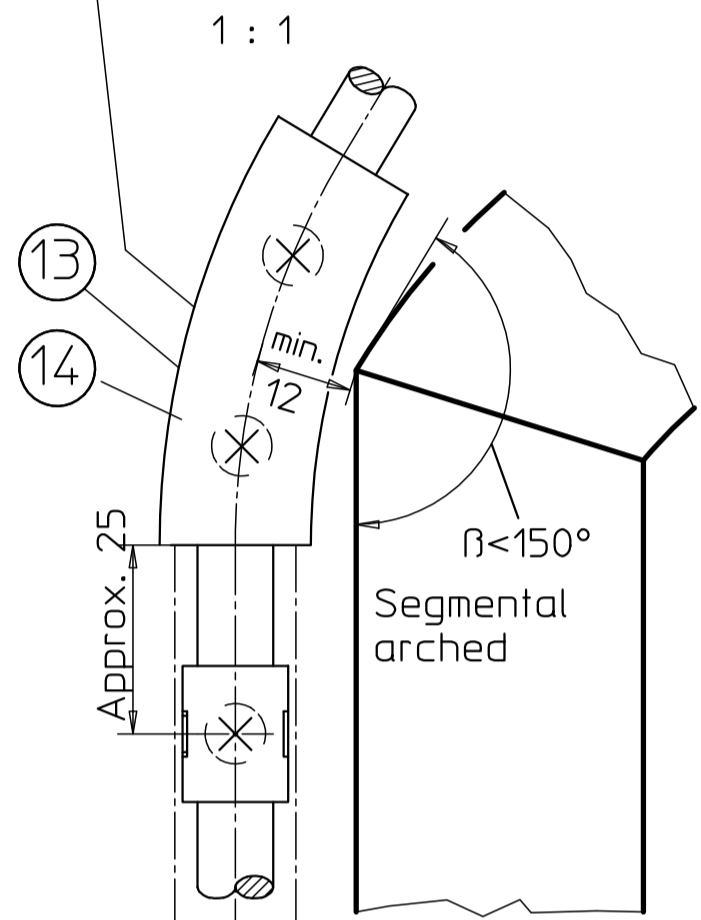
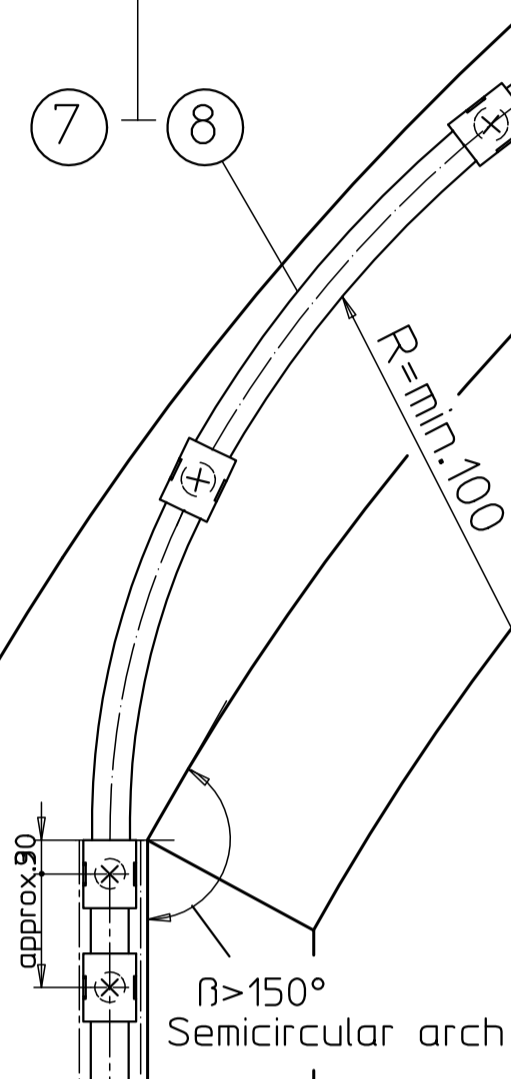


max.free cable length 350mm

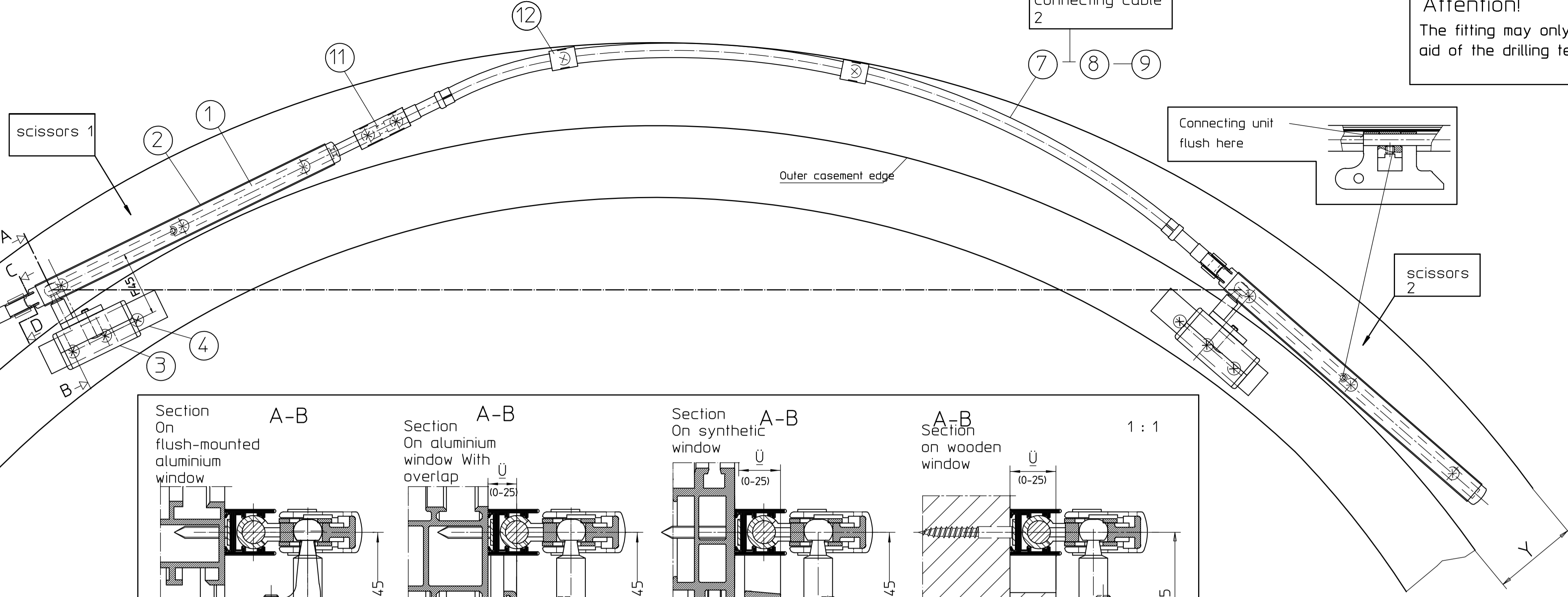
Installation of the corner guide only for segmental arch windows  $\beta < 150^\circ$  (adapt length on site)



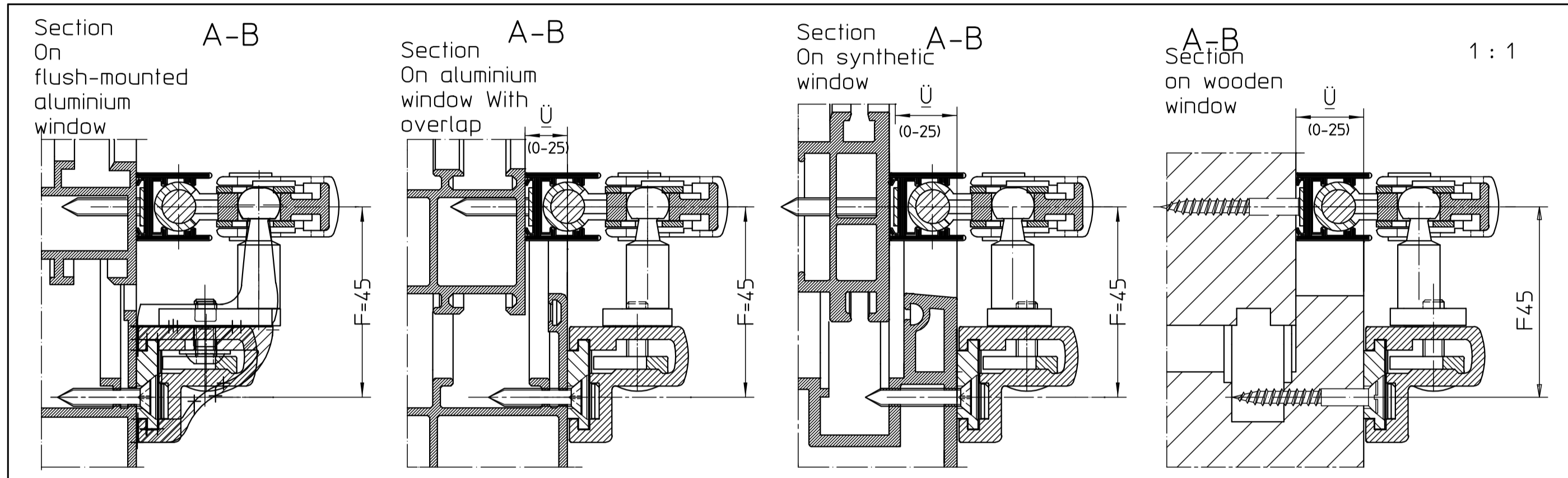
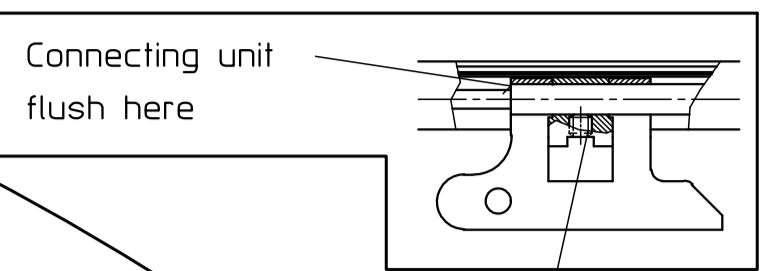
Diverter cable 1



$\beta > 150^\circ$  Semicircular arch

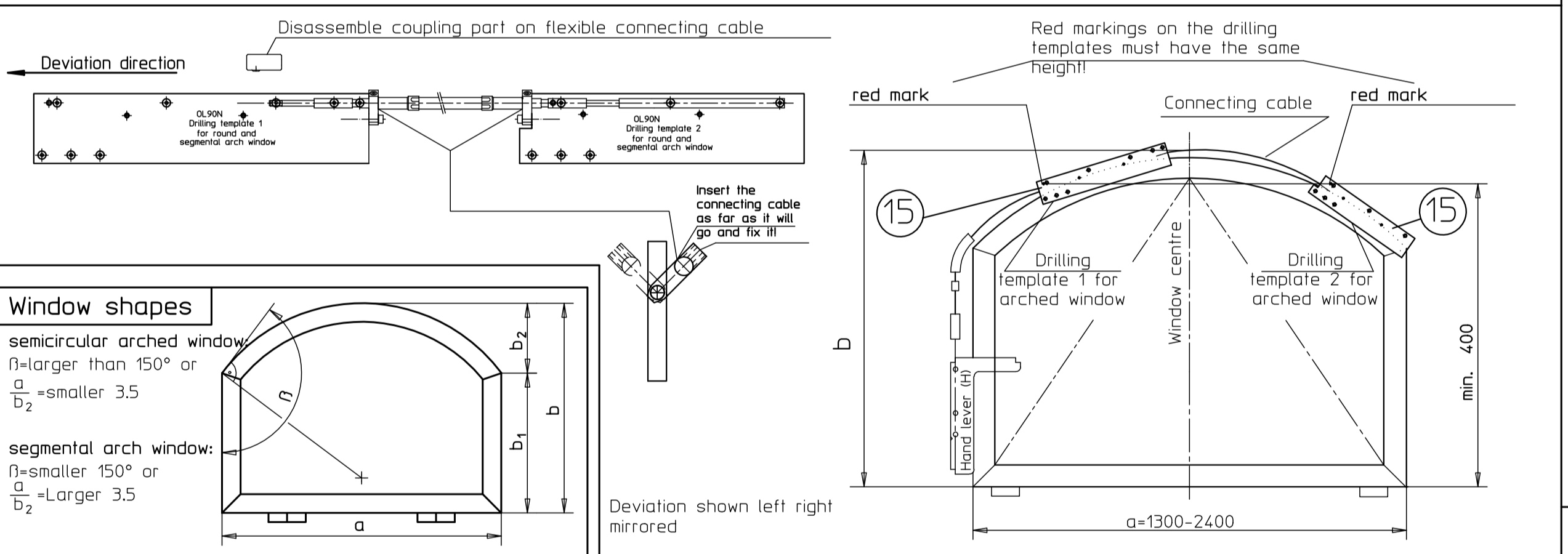


Attention!  
The fitting may only be fastened with the aid of the drilling templates provided!



Ordering requirement for 1 window *		Fitting parts (see parts list)						
		A+A1	B	C7	C8	C9	D	E
Segmental arch window	a = 1300 to 1600mm	2X	X	2X			2X	X
	a = 1600 to 1900mm	2X	X	X	X		2X	X
	a = 1900 to 2150mm	2X	X	X		X	2X	X
	a = 2150 to 2400mm	2X	X	X	X	X	2X	X
Semicircular arched window	a = 1300 to 1600mm	2X	X	2X			2X	X
	a = 1600 to 1900mm	2X	X	X	X		2X	X
	a = 1900 to 2150mm	2X	X	X		X	2X	X
	a = 2150 to 2400mm	2X	X	X	X	X	2X	X

Drilling template application



Important information:

- Installation drawing, installation instructions, maintenance and operating instructions must be observed.
- The specified area of application must be observed.
- The prescribed fitting dimensions must be observed.
- The prescribed mounting elements must be used.
- In order to avoid injuries, protective caps must be turned on projecting threads of the fixing screws.
- Fittings are drawn in the closed position, but assembly is carried out in the open position.
- All fixing screws must be tightened in the open position with an Allen key SW3 with 5Nm.
- After assembly and before commissioning, the function of tightening all fixing screws must be checked, and all fixing screws must be tightened again.
- The joints and sliding points must be greased with an acid-free grease in accordance with DIN 51825.
- The free accessibility of the fitting parts for greasing and maintenance must be ensured in accordance with DIN 18357.
- If rods and cover profiles from other manufacturers are used, GEZE assumes no warranty and no liability for the resulting damage and consequential damage.
- From a free rod length of 600mm, rod guides must be used.
- The use of a suitable safety catch is prescribed for bottom-hung windows (see GEZE gripping and cleaning scissors).
- The fitting may only be fastened with the aid of the provided drilling template.

Installation instructions

1. Disassemble the coupling part of the flexible connecting cable (cable 2). Note: This coupling part is no longer required. The coupling part of the flexible cable (cable 1) must not be dismantled.
2. Clamp drilling template 1 and drilling template 2 with connecting cable (see drilling template application).
3. Position and align the drilling template on the casement overlap. Important: The distance of the red marking from the hinge axis must be the same!
4. Clamp the drilling templates and drill the fixing hole pattern.
5. Install mounting plate (4) for sliding casement bracket.
6. Tighten scissor base (2) and engage scissors (1).
7. Tighten bracket (11) and clip in connecting cable.
8. Install guides for connecting cable, insert connecting cable into scissors 2. Install the guides for the diverter lead, insert the diverter cable into scissors 1. The two cables must be coupled in the first scissors by turning.
9. The cables must be axially fixed with locking clip (10) (see section C-D).
10. Install bracket (1) on the deviation side (or corner guide).
11. Before tightening the fixing screws, bring all fitting parts into open position. Tighten the grub screws in scissors (see Fig. 1). Finally, tighten the grub screws in hand lever (6).

Tool

- Vice / pliers
- Allen key SW3
- Tape measure screw clamp, drillØ2.5 if necessaryØ3.5
- Screw tool
- 

Area of application

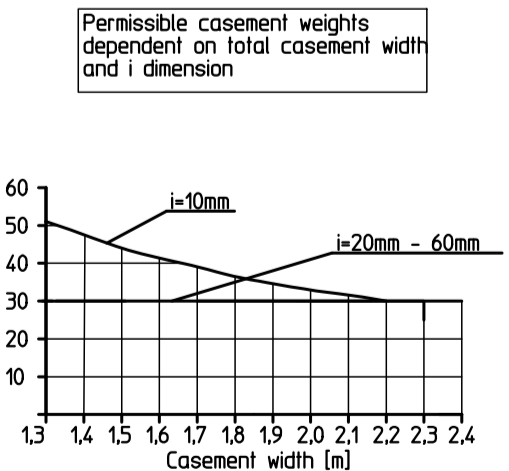
general:  
only for vertically installed windows  
a = Casement width 1300 to 2400mm  
Casement weight max. 80kg

i = Distance measure of the centre of gravity of the casement to the hinge pivot point = 10 to 60mm  
U = Overlap height 0-25mm

Casement width	Connecting cable Cable 2	Diverter cable 1
1300-1600	700	700
1600-1900	1000	700
1900-2150	1250	700
2150-2400	1250	1000

Segmental arch window ( $\beta$  smaller than  $150^\circ$ ):  
b = Casement height min. 500mm  
Y = Upper clearance  
X = Side clearance

Semicircular arched window ( $\beta$  larger  $150^\circ$ ):  
b = Casement height min. 650 mm  
Y = Upper clearance 40-50mm (depending on arch)  
X = Side clearance (see table)  
D = Outer edge of casement to centre of link arm (see table)



Window type	Fixing screws	Drill $\phi$
Wood	Countersunk wood screws 4x35 DIN 97 o.DIN 7997	2.5mm
Aluminium	Countersunk self-tapping screws 4.2xL DIN7972 or DIN7982 Screw must go through min.1.8mm profile wall	3.5mm
Plastic	Countersunk self-tapping screws 4.2xL DIN7972 or DIN7982 Screw must go through min.2 profile walls	3.5mm

Further installation drawings for GEZE OL 90 N:  
Additional sheet: Installation of swivelling hand lever 40444-9-952  
OL 90 N on bolt with flex.tension 40444-EP-016  
OL 90 N with flex. Link arms for Semicircular and segmental arch window (1 scissors) Additional sheet: flex. Activation - Deviation 40444-EP-031  
for gear Fz 91 and electric drive E 212

Technical data

- Opening width approx. 170mm
- Fitting stroke 54mm

Before tightening the fixing screws, bring all fitting parts into open position. Tighten the grub screws in the hand lever last!

Length of drive rod for hand lever = CH-182  
Depiction hand lever reduced

Pos.	Pc.	Name	Ident no. for version:					Pc.
			EV1	white RAL306	dark bronze	black	RAL...	
A	1	Scissors OL 90 N without casement bracket	71203	71207	71204	99477	71206	4
	1	Content: Flat forming scissors OL 90 N						
	1	Scissors base						
	2	Connection						
	1	Rod guide						
A	1	Sliding casement bracket for wooden windows with Euro-groove **	71198	71202	71199	99476	71201	3
	1	Content: Casement bracket for wooden window						
	4	Screw plate long						
B	6	Hand lever OL 90 N	26882	26887	26884	79113	26886	3
C	7	Flexible tension Length:						
	8	l=700	22718	22718	08481			
	9	l=1000	22720	22720	08483			
	1	l=1250	22721	22721	08485			
D	10	Accessories flex. Link arm	30862	30862	30861			6
	1	Content: Locking clip						
	11	Holder for flex. Tension						
	12	Guide for flex. Tension						
E	13	Corner guide flex. Link arm	30764	30764	30763			x
	14	Content: Corner guide						
	14	Cover for corner guide						

Rods and cover profiles	30401	30405	30402	74537	30404
Cover profile L=2m *	30396	30400	30397	74539	30399
Cover profile L=3m *	27558	27561	27559	27540	
Cover profile L=6m					
Rod Ø8 galvanised L=2m			16555		
Rod Ø8 galvanised L=3m			16591		
Rod Ø8 galvanised L=6m			16592		

15	Drilling templates (DrillØ2.5) for 2-fold scissors semi-circular and segmental arch window	71861			
5	Rod guide	10878			1 each
11	Holder for flex. tension	08507			
12	Guide for flex. tension	22791	22791	08510	

\* Cover profile mite cut on both sides  
\*\* can also be used for aluminium and PVC windows

GEZE GmbH  
P.O. Box 13 63  
7026 Leoberg  
Germany

OL 90 N Flexible V-arm with  
2 scissors on round and segmental arch window

vertraulich / confidential

2 Blatt / von 2  
Blatt / of 2 / 2

Material-Nr. / D-no.  
1:1

keine Freigabe/Not Released

Zichungs-Nr. / document-no.  
40444-EP-017

Diese Zeichnung enthält das Druckbild des Zeichnungsplans bis zur dritten Änderungsstufe. Aus der Verantwortung für die Zeichnung gehen keine Ansprüche auf eine spätere Änderung der Zeichnung über. Die Zeichnung ist Eigentum der GEZE AG. Nachdruck, Verbreitung oder Kopie ohne schriftliche Genehmigung der GEZE AG ist ausdrücklich untersagt. Die GEZE AG übernimmt keine Haftung für Schäden, die aus dem Gebrauch dieser Zeichnung resultieren. Die GEZE AG ist nicht verantwortlich für die Interpretation der Zeichnung. Die Zeichnung ist Eigentum der GEZE AG und ist nicht übertragbar. Die GEZE AG ist nicht verantwortlich für die Interpretation der Zeichnung. Die Zeichnung ist Eigentum der GEZE AG und ist nicht übertragbar. Die GEZE AG ist nicht verantwortlich für die Interpretation der Zeichnung.